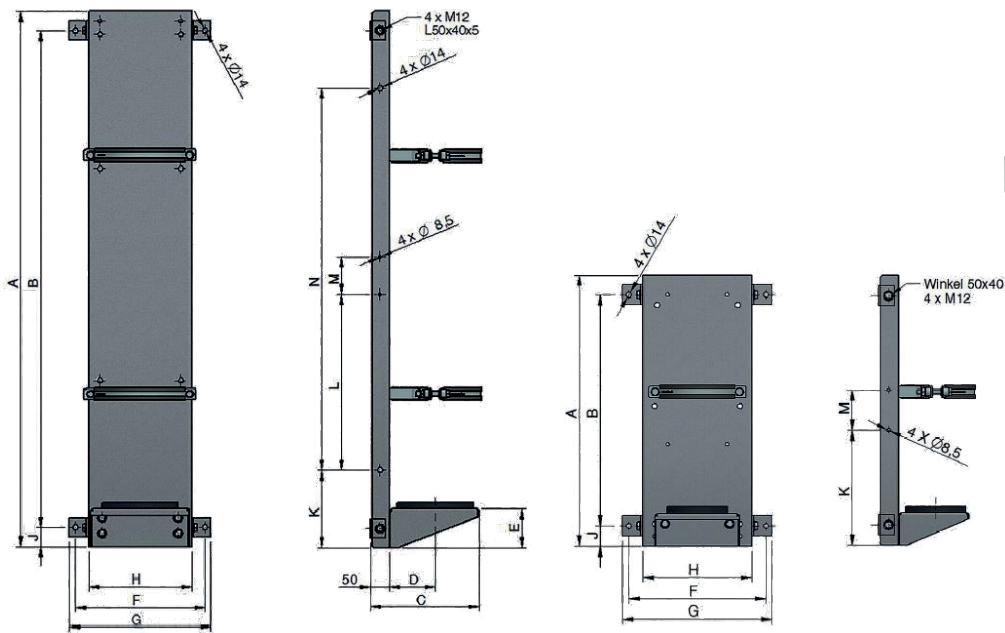


# MOUNTING ACCESSORIES BRACKET HBBZ-BS

## MOUNTING SET

The HENNLICH mounting set consists of a bracket with rubber ring and 1 or 2 mounting clamps mounted on a back panel. Together with the accumulator, it forms an assembled unit that can be welded or screwed onto any structure.

Material: The clamps and brackets are galvanized standard steel, and the rear panel is primed. Rubber parts NBR / EPDM.



ART. NO.	ACCUMULATOR SIZE [L]	HOLDER	A	B	C	D	E	F	G	H	J	K	L	M	N
S-HBBZ-BS-04-01	4	1	670	570	225	92	80	340	370	270	50	285	-	100	-
S-HBBZ-BS-06-01	6	1	670	570	225	92	80	340	370	270	50	285	-	100	-
S-HBBZ-BS-10L-01	10	1	670	570	225	92	80	340	370	270	50	285	-	100	-
S-HBBZ-BS-10-01	10/12	1	670	570	285	121	100	340	370	270	50	285	-	100	-
S-HBBZ-BS-20-01	20	2	670	570	285	121	100	340	370	270	50	285	-	100	-
S-HBBZ-BS-24-01	24.5	2	670	570	285	121	100	340	370	270	50	285	-	100	-
S-HBBZ-BS-32-57-01	32 / 50 / 57	2	1400	1300	285	121	100	340	370	270	50	200	235	100	570

Manufacturing tolerances are not taken into account. Subject to modifications.