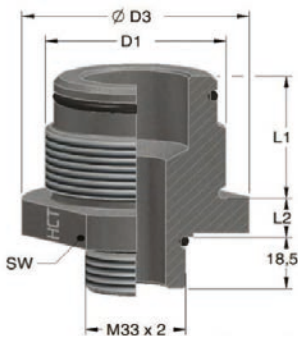
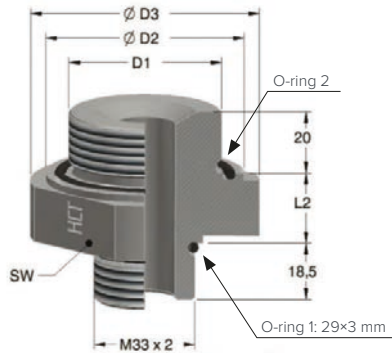


ACCUMULATOR ADAPTER HAS FOR SAFETY AND SHUT-OFF BLOCK HSB 10 / HSB 20 BLADDER ACCUMULATOR HBS



TYPE 1
radial seal O-ring



TYPE 2
axial seal O-ring

MAX. PERMISSIBLE PRESSURE (PS)

Carbon steel: FPM / 400 bar

MATERIALS

Carbon steel: FPM

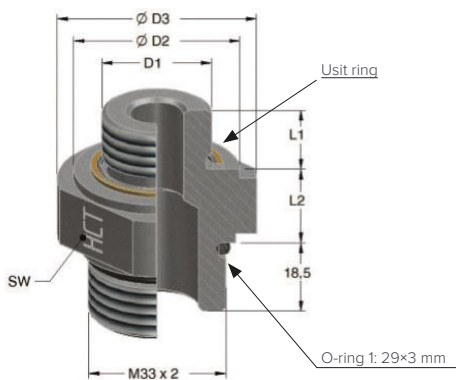
PERMISSIBLE TEMPERATURES (TS)

-20°C to 80°C

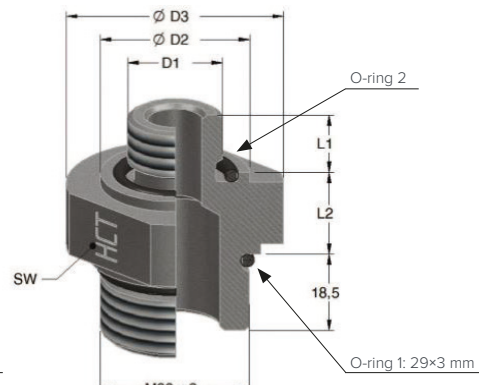
Adapter	Type	D1	SW	L1 [mm]	L2 [mm]	øD2	øD3	O-ring 2 [mm]
HAS 10	1	G ¾"	41	27.5	20.5	-	48	17x3
HAS 12		G 1 ¼"	50	37	19	-	55	30x3
HAS 13		G 2"	65	44	14	-	75	48x3
HAS 20	2	M30x1.5	41	20	23	40	48	32x2
HAS 21		M40x1.5	55	20	23	54	65	43x3
HAS 22		M50x1.5	65	20	23	64	75	53x3

Manufacturing tolerances are not taken into account. Subject to modifications.

ACCUMULATOR ADAPTER HAS FOR SAFETY AND SHUT-OFF BLOCK HSB 10/ HSB 20 DIAPHRAGM ACCUMULATOR HMS



TYPE 3
axial seal Usit ring

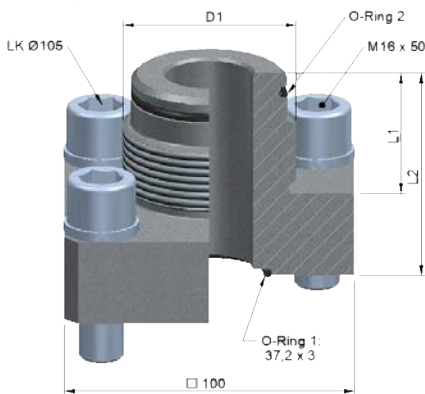


TYPE 4
axial seal O-ring

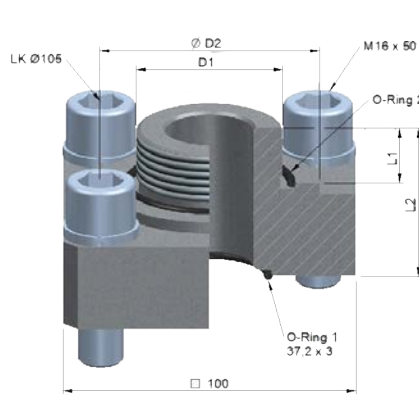
Adapter	Type	D1	SW	L1 [mm]	L2 [mm]	øD2	øD3	O-ring 1 [mm]	Ring 2 [mm]
HAS 30	3	G ½"	41	14	20	33	48	29x3	Usit ring ½"
HAS 31		G ¾"	41	16	20	40	48	29x3	Usit ring ¾"
HAS 32	4	G ½"	41	14	20	33	48	29x3	O-ring 22x3
HAS 33		G ¾"	41	16	20	40	48	29x3	O-ring 22x3

Manufacturing tolerances are not taken into account. Subject to modifications.

ACCUMULATOR ADAPTER HFS FOR SAFETY AND SHUT-OFF BLOCK HSB 32 BLADDER ACCUMULATOR HBS



TYPE 1
Radial seal



TYPE 2
Axial seal

MAX. PERMISSIBLE PRESSURE (PS)

Carbon steel: FPM / 400 bar

MATERIALS

Carbon steel: FPM

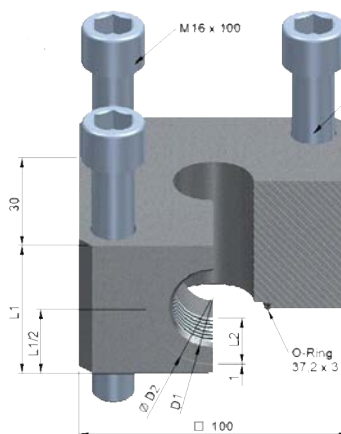
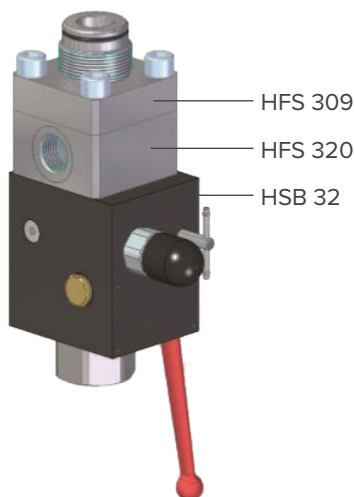
PERMISSIBLE TEMPERATURES (TS)

-20°C to 80°C

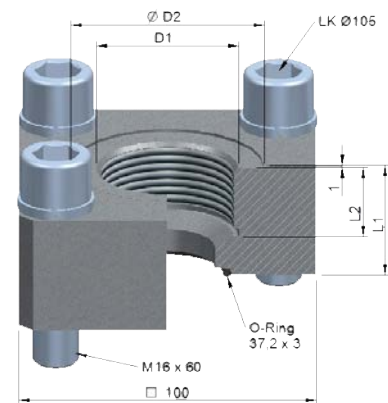
Adapter	Type	D1	ØD2 [mm]	L1 [mm]	L2 [mm]	O-ring 1 [mm]	O-ring 2 [mm]
HFS 305	1	G ¾"	-	28	58	37,2×3	17×3
HFS 307		G 1 ¼"	-	37	67	37,2×3	30×3
HFS 309		G 2"	-	44	74	37,2×3	48×3
HFS 330	2	M30x1.5	45	15	47	37,2×3	32×2
HFS 340		M40x1.5	60	20	51	37,2×3	43×3
HFS 350		M50x1.5	75	20	51	37,2×3	53×3

Manufacturing tolerances are not taken into account. Subject to modifications.

SPECIAL ADAPTER HFS FOR SAFETY AND SHUT-OFF BLOCK HSB 32



HFS 320
Intermediate flange for add. lateral pipeline connection



HFS 321
Flange for pipeline connection

Adapter	D1	ØD2 [mm]	L1 [mm]	L2 [mm]	O-ring [mm]
HFS 320	G 1"	47	54	20	37,2×3
HFS 321	G 1 ½"	65	40	20	37,2×3

Manufacturing tolerances are not taken into account. Subject to modifications.