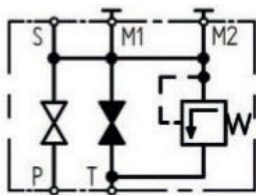
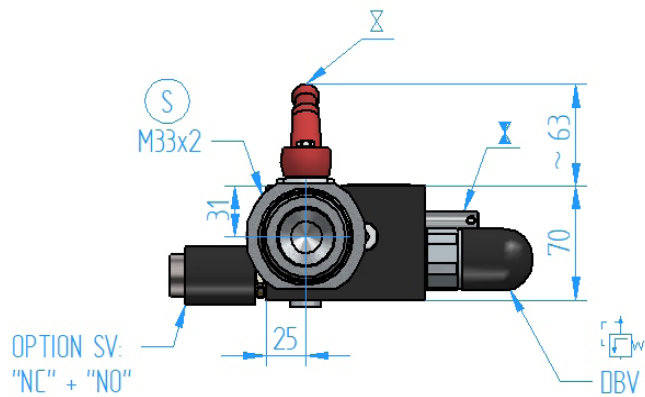
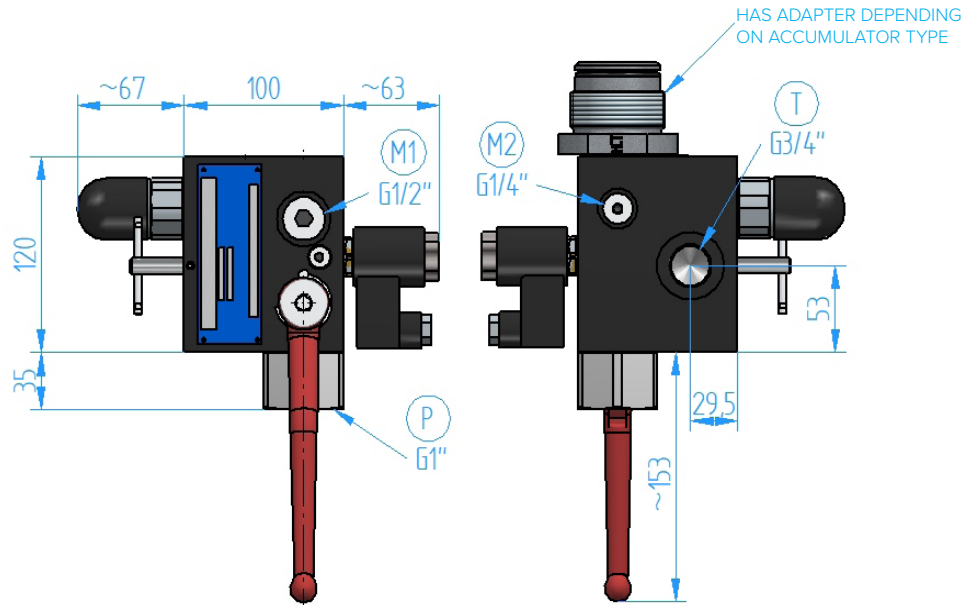
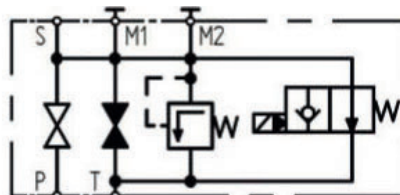


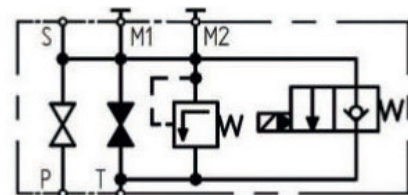
SAFETY SHUT-OFF BLOCK HSB 20



OPTION M



OPTION NO



OPTION NC

- » **P** Pump connection G 1"
- » **T** Tank connection G 3/4"
- » **S** Accumulator connection
- » **M1** Pressure gauge connection G 1/2"
- » **M2** Pressure gauge connection G 1/4"
- » **DBV** Pressure discharge valve
- » **Option NO/NC** 2/2 magnetic valve

SAFETY SHUT-OFF BLOCK HSB 20



TECHNICAL DATA

MAX. PERMISSIBLE PRESSURE (PS)

Manual discharge: 400 bar
Electrical discharge: 350 bar
Design according to PED

EC INDIVIDUALLY TESTED VALVE CARTRIDGE

In pressure ratings: 50 / 100 / 140 / 160 /
180 / 200 / 211 / 250 / 280 / 300 / 330 /
360 bar

MATERIALS

Carbon steel, burnished, FKM & POM

PERMISSIBLE TEMPERATURES (TS)

-10°C to +80°C

ELECTRICAL DATA

Direct voltage DC:
12 / 24 V DC - 17 W
Alternating voltage AC:
115 V AC - 50/60 Hz
230 V AC - 50/60 Hz
Protection class:
IP 65 plug DIN 43650

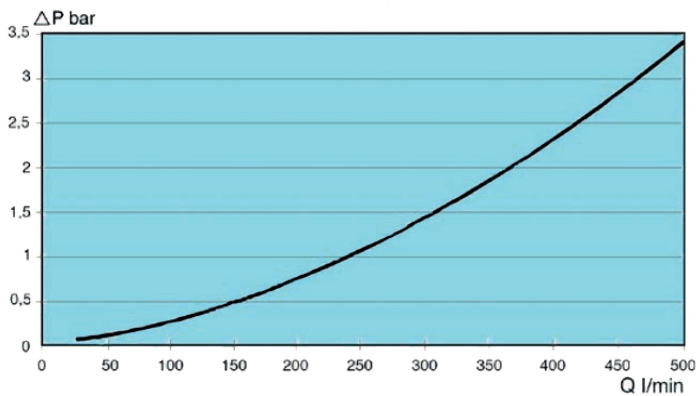
WEIGHT

Design M ~ 6.6 kg without accumulator
connection
Design NO/NC ~ 6.8 kg without
accumulator connection

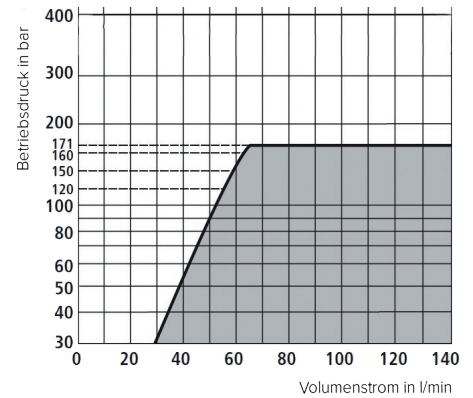
CONNECTIONS

For connections to the various accumu-
lator types, see HAS data sheet.

CHARACTERISTIC CURVES



Pressure loss from connection P to S
(OIL 32 cSt, 40°C)



Volume flows via pressure discharge valve P
to T, volume flows in the grey area cannot be
displayed

Hydraulic back pressures in the connection lines are added to the pressure loss values and the set pressure of the pressure relief valve. It should be noted that the characteristic curve is influenced by deviations in the system conditions.



SAFETY SHUT-OFF BLOCK HSB

TYPE CODE

SAFETY SHUT-OFF BLOCK HSB		HSB X 10 NO Z - 350/ 90/ 80 - A - 013 - Z
ATEX version		
Zone 1 (II 2G)	X	
Nominal size [litres]		
10, 20, 32		
Pressure relief valve		
Manual	M	
Manual + electric, normally open	NO	
Manual + electric, normally closed	NC	
Separation valve type		
2/2-way valve - not specified		
3/2-way valve only for nominal size 10	Z	
Safety valve set pressure [bar]		
140 / 200 / 211 / 250 / 330 / 360		
Safety valve approval		
CE, individually tested according to module G & sealed	90	
Seals material		
FKM (Viton = standard)	80	
IIR (butyl)	40	
EPDM	47	
Solenoid voltage (only with NO/NC option)		
Manual discharge - not specified		
12V DC	A	
24V DC	B	
115V AC	C	
230V AC	D	
Special voltage, on request	Z	
Connection on the accumulator side		
No adapter (not possible with ATEX "X")		
HAS10 = 010, HAS12 = 012, HAS13...		
For selection options, see AS+FS type code		
Special design		
Details in article description, e.g. painted RAL9005	Z	