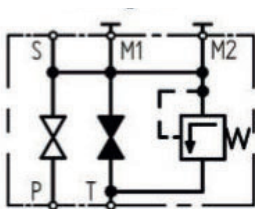
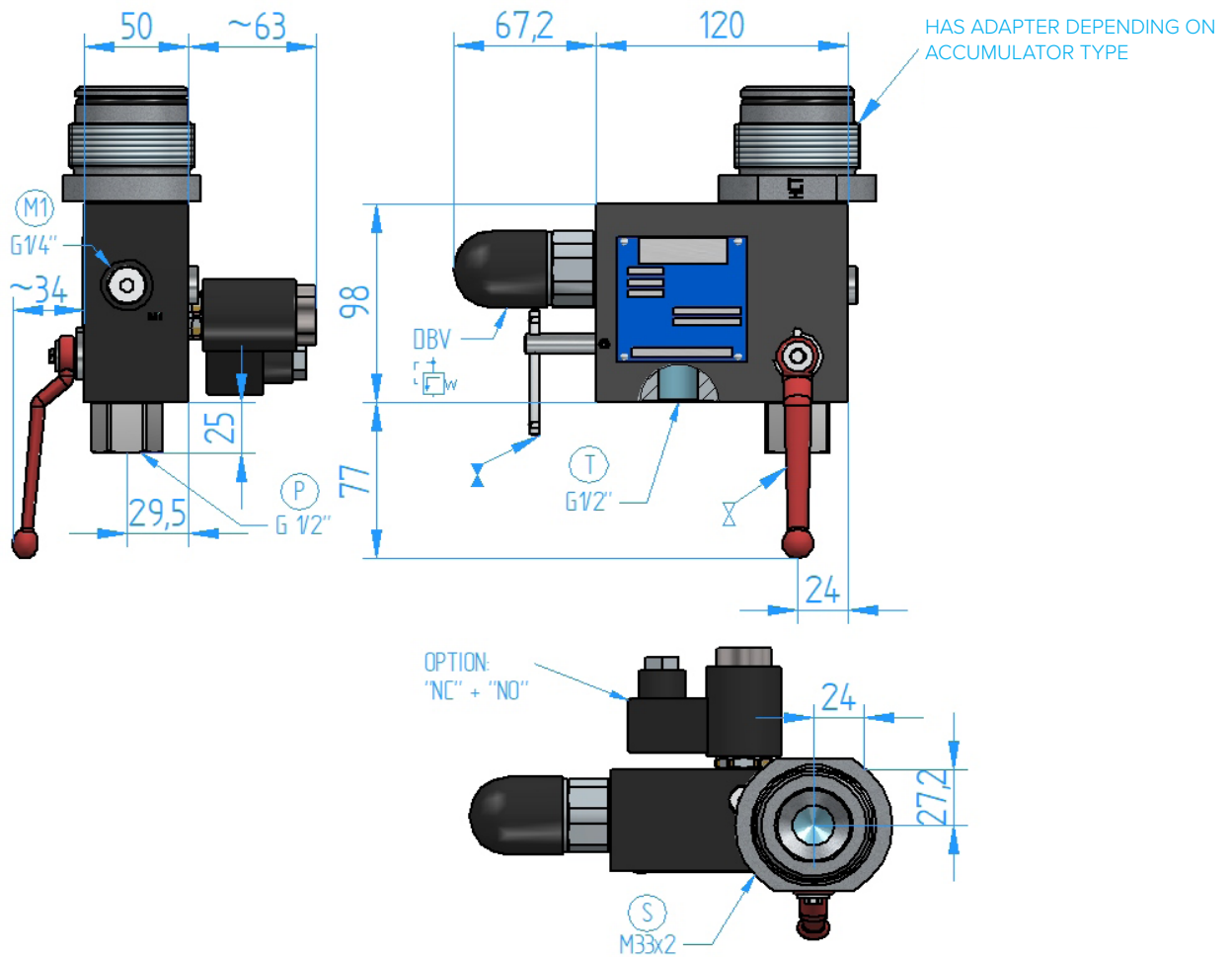
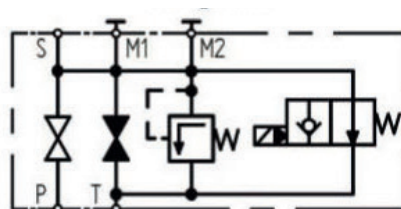


# SAFETY SHUT-OFF BLOCK HSB

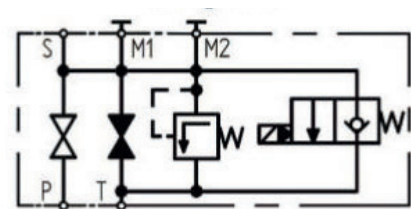
## HSB 10, STANDARD SERIES



OPTION M



OPTION NO



OPTION NC

- » P Pump connection G 1/2"
- » T Tank connection G 1/2"
- » S Accumulator connection
- » M1 Pressure gauge connection G 1/4"
- » M2 Pressure gauge connection G 1/4"
- » DBV Pressure discharge valve
- » Option NO/NC 2/2 magnetic valve

## HSB 10, STANDARD SERIES

### TECHNICAL DATA



Illustration with HAS adapter

#### MAX. PERMISSIBLE PRESSURE (PS)

Manual discharge: 400 bar  
Electrical discharge: 350 bar  
Design according to PED

#### EC INDIVIDUALLY TESTED VALVE CARTRIDGE:

In pressure ratings: 50 / 100 / 140 / 160 /  
180 / 200 / 211 / 250 / 280 / 300 / 330 /  
360 bar

#### MATERIALS

Carbon steel, burnished, FKM & POM

#### PERMISSIBLE TEMPERATURES (TS)

-10°C to +80°C

#### ELECTRICAL DATA

Direct voltage DC:  
12 / 24 V DC - 17 W  
Alternating voltage AC:  
115 V AC / 50/60 Hz  
230 V AC / 50/60 Hz  
Protection class:  
IP 65 plug DIN 43650

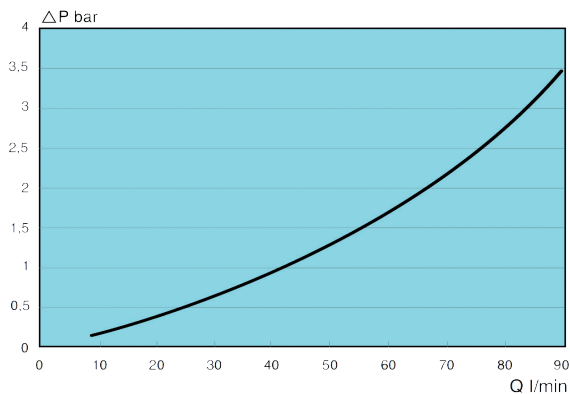
#### WEIGHT

Design M ~ 4.4 kg without accumulator  
connection  
Design NO/NC ~ 4.6 kg  
Without accumulator connection

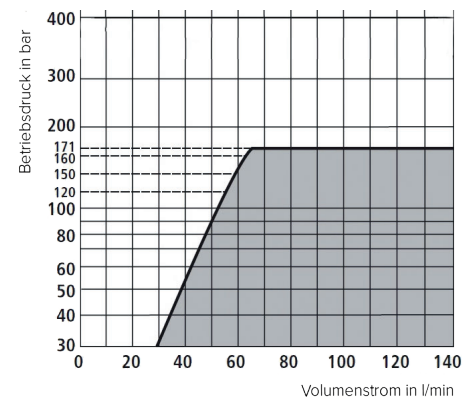
#### CONNECTIONS

For connections to the various accumulator types, see HAS data sheet.

### CHARACTERISTIC CURVES



Pressure loss from connection P to S  
(OIL 32 cSt, 40°C)



Volume flows via pressure discharge valve P  
to T, volume flows in the grey area cannot be  
displayed

Hydraulic back pressures in the connection lines are added to the pressure loss values and the set pressure of the pressure relief valve. It should be noted that the characteristic curve is influenced by deviations in the system conditions.



# SAFETY SHUT-OFF BLOCK HSB

## TYPE CODE

SAFETY SHUT-OFF BLOCK HSB		HSB X 10 NO Z - 350/ 90/ 80 - A - 013 - Z
<b>ATEX version</b>		
Zone 1 (II 2G)	X	
<b>Nominal size [litres]</b>		
10, 20, 32		
<b>Pressure relief valve</b>		
Manual	M	
Manual + electric, normally open	NO	
Manual + electric, normally closed	NC	
<b>Separation valve type</b>		
2/2-way valve - not specified		
3/2-way valve only for nominal size 10	Z	
<b>Safety valve set pressure [bar]</b>		
140 / 200 / 211 / 250 / 330 / 360		
<b>Safety valve approval</b>		
CE, individually tested according to module G & sealed	90	
<b>Seals material</b>		
FKM (Viton = standard)	80	
IIR (butyl)	40	
EPDM	47	
<b>Solenoid voltage (only with NO/NC option)</b>		
Manual discharge - not specified		
12V DC	A	
24V DC	B	
115V AC	C	
230V AC	D	
Special voltage, on request	Z	
<b>Connection on the accumulator side</b>		
No adapter (not possible with ATEX "X")		
HAS10 = 010, HAS12 = 012, HAS13...		
For selection options, see AS+FS type code		
<b>Special design</b>		
Details in article description, e.g. painted RAL9005	Z	