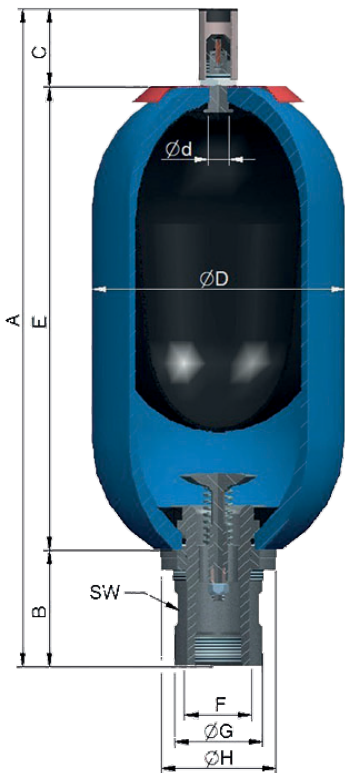




HENNLICH

# BLADDER ACCUMULATOR HBS

## HBS SERIES 500 BAR



### TECHNICAL DATA

**VOLUME**  
2.5–50 litres

**MAX. PERMISSIBLE PRESSURE (PS)**  
500 bar

**PERMISSIBLE TEMPERATURES (TS)**  
-20°C to +80°C

**PAINTWORK**  
Primed, RAL 5015

### APPROVAL

DGRL 2014/68/EU, Design EN 14359, CE marking:  
applicable within the validity and acceptance range of PED  
Eurasian Economic Area: Applicable with EAC declaration (TR-CU 032)  
China: Applicable with additional documentation according to directives of the Chinese AQSIQ authority  
Corresponding certificates can be supplied.

Other designs and approvals on request

### MATERIALS

Body and connections: Carbon steel  
Bladder: NBR

### GAS VALVE

7/8" - 14 UNF

### CONNECTIONS

BSP EN ISO 228, see table

DESIGNATION	GAS VOLUME [l]	WEIGHT [KG]	Q MAX. [l/MIN]	DIMENSIONS										P <sub>0</sub> :P <sub>2</sub> *
				A	B	C	ØD	Ød	E	F	ØG	ØH	SW1	
HBS 2,5-500/...	2.4	14	240	549	66	68	114	22	415	G 1 1/4"	36	50	50	1:4
HBS 4-500/...	3.7	20	450	436	66	68	168	22	302	G 1 1/4"	53	68	50	1:4
HBS 6-500/...	6	30	450	562	66	68	168	22	428	G 1 1/4"	53	68	50	1:4
HBS 10-500/...	9.2	38	900	570	101	68	226	22	401	G 2"	76	101	70	1:4
HBS 12-500/...	11	41	900	670	101	68	226	22	501	G 2"	76	101	70	1:4
HBS 20-500/...	18.1	60	900	880	101	68	226	22	711	G 2"	76	101	70	1:4
HBS 24-500/...	22.5	68	900	1015	101	68	226	22	846	G 2"	76	101	70	1:4
HBS 32-500/...	33.4	93	900	1400	101	68	226	22	1231	G 2"	76	101	70	1:4
HBS 50-500/...	48.7	125	900	1915	101	68	226	22	1746	G 2"	76	101	70	1:4

\* Max. permissible pressure ratio.

Manufacturing tolerances are not taken into account. Subject to modifications.



# BLADDER ACCUMULATOR HBS

## TYPE CODE

BLADDER ACCUMULATOR HBS	
<b>Nominal size</b>	
1 / 2.5 / 4.0 / 5.0 / 6.0 / 10 / 12 / 20 / 24 / 32 / 50 / 57	
<b>Max. operating pressure</b>	
E.g.: 330 or 350	
<b>Approval identification</b>	
ATEX	96
CE + ASME	94
CE	90
CE + SELO	88
DNV	73
TRCU	71
Further country approvals on request	XX
<b>Calculation standard</b>	
EN 14359 (standard)	E
AD 2000 (on request)	D
ASME	A
EN 14359 + ASME	U
<b>Permissible approval operating pressure [bar]</b>	
<b>Accumulator body material</b>	
Carbon steel	A
Carbon steel, plastic coating inside & outside	B
Carbon steel, chemically nickel-plated inside & outside	C
Stainless steel	R
<b>Fluid connection material</b>	
Carbon steel	A
Stainless steel	R
<b>Bladder material</b>	
NBR (standard)	25
ECO (hydrin)	02
TT-NBR	10
IIR (butyl)	40
EPDM	47
FKM (viton)	80
<b>Gas connection material</b>	
Carbon steel	A
Special connection, details in article description	Z
<b>Size of gas connection*</b>	
7/8" - 14 UNF	A
5/8" - 18 UNF	B
Other designs, details in article description	Z
<b>Size of oil connection</b>	
IG 3/4"	B
IG 1 1/4"	C
IG 2"	D
M50 x 1.5	G
Flange connection, details in article description	H
High flow oil valve	I
SAE 2" 3000 PSI	J
SAE 1 1/2" 3000 PSI	K
SAE 1 1/2" 6000 PSI	L
Special connection, details in article description	Z
<b>Nitrogen precharging</b>	
Standard 000 = transport precharge	
<b>Special design (details depending on order)</b>	
ATEX	X
Details in article description e.g. paintwork RAL 5003	Z

HBS 50 - 330 / 90 E 330 A A 25 A A D 000 X

