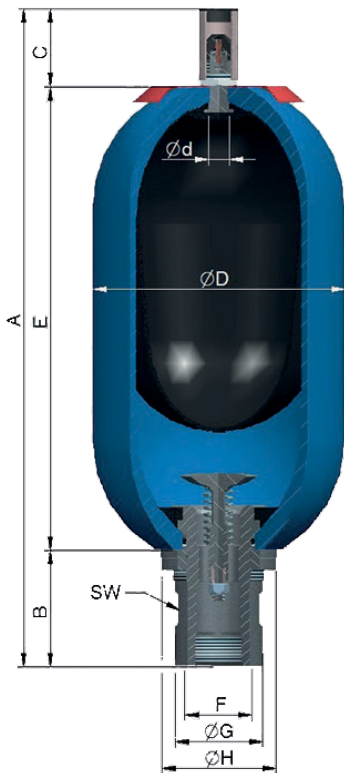


BLADDER ACCUMULATOR HBS

HBS ASME/CE



Version with two different approvals. For one, according to the Pressure Equipment Directive with CE marking and for another, according to ASME. Please observe the corresponding permissible operating pressures.

TECHNICAL DATA

VOLUME
10–57 litres

COATING
Primed, RAL 5015

MAX. PERMISSIBLE PRESSURE (PS)
420 bar with CE marking
PED 2014/68/EU according to EN 14359

MATERIALS
Body and connections: Carbon steel
Bladder: NBR

4100 psi (280 bar) according to
ASME VIII Div. I App. 22

GAS VALVE
7/8" - 14 UNF

PERMISSIBLE TEMPERATURES (TS)
-20°C to +80°C

CONNECTIONS
BSP EN ISO 228, see table

APPROVAL
DGRL 2014/68/EU
Design EN 14359
ASME VIII Div. I App. 22

DESIGNATION	GAS VOLUME [l]	WEIGHT [KG]	Q MAX. [l/MIN]	DIMENSIONS										P ₀ :P ₂ *
				A	B	C	ØD	Ød	E	F	ØG	ØH	SW1	
HBS 10-4100	9.2	38	900	570	101	68	226	22	401	G 2"	76	101	70	1:4
HBS 12-4100	11	41	900	670	101	68	226	22	501	G 2"	76	101	70	1:4
HBS 20-4100	18.1	60	900	880	101	68	226	22	711	G 2"	76	101	70	1:4
HBS 24-4100	22.5	68	900	1015	101	68	226	22	846	G 2"	76	101	70	1:4
HBS 32-4100	33.4	93	900	1400	101	68	226	22	1231	G 2"	76	101	70	1:4
HBS 50-4100	48.7	125	900	1915	101	68	226	22	1746	G 2"	76	101	70	1:4
HBS 57-4100	53	132	900	2010	101	68	226	22	1841	G 2"	76	101	70	1:4

* Max. permissible pressure ratio.

Manufacturing tolerances are not taken into account. Subject to modifications.



BLADDER ACCUMULATOR HBS

TYPE CODE

BLADDER ACCUMULATOR HBS		HBS 50 - 330 / 90 E 330 A A 25 A A D 000 X
Nominal size		
1 / 2.5 / 4.0 / 5.0 / 6.0 / 10 / 12 / 20 / 24 / 32 / 50 / 57		
Max. operating pressure		
E.g.: 330 or 350		
Approval identification		
ATEX	96	
CE + ASME	94	
CE	90	
CE + SELO	88	
DNV	73	
TRCU	71	
Further country approvals on request	XX	
Calculation standard		
EN 14359 (standard)	E	
AD 2000 (on request)	D	
ASME	A	
EN 14359 + ASME	U	
Permissible approval operating pressure [bar]		
Accumulator body material		
Carbon steel	A	
Carbon steel, plastic coating inside & outside	B	
Carbon steel, chemically nickel-plated inside & outside	C	
Stainless steel	R	
Fluid connection material		
Carbon steel	A	
Stainless steel	R	
Bladder material		
NBR (standard)	25	
ECO (hydrin)	02	
TT-NBR	10	
IIR (butyl)	40	
EPDM	47	
FKM (viton)	80	
Gas connection material		
Carbon steel	A	
Special connection, details in article description	Z	
Size of gas connection*		
7/8" - 14 UNF	A	
5/8" - 18 UNF	B	
Other designs, details in article description	Z	
Size of oil connection		
IG 3/4"	B	
IG 1 1/4"	C	
IG 2"	D	
M50 x 1.5	G	
Flange connection, details in article description	H	
High flow oil valve	I	
SAE 2" 3000 PSI	J	
SAE 1 1/2" 3000 PSI	K	
SAE 1 1/2" 6000 PSI	L	
Special connection, details in article description	Z	
Nitrogen precharging		
Standard 000 = transport precharge		
Special design (details depending on order)		
ATEX	X	
Details in article description e.g. paintwork RAL 5003	Z	